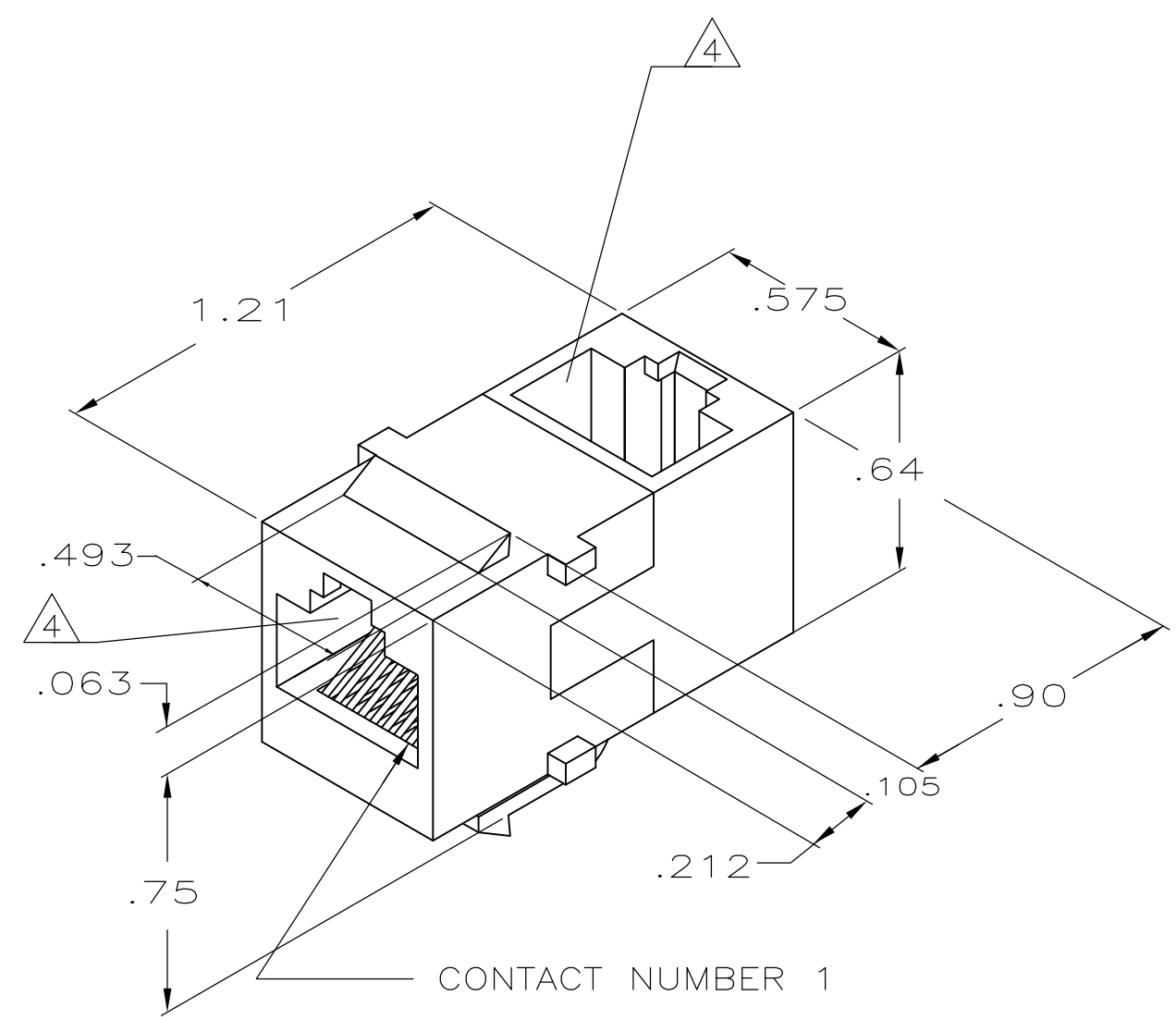
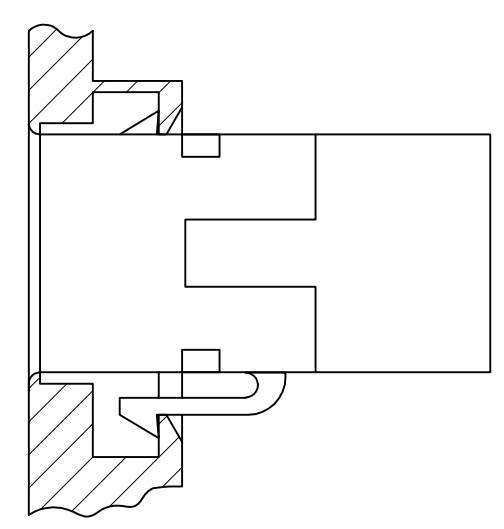


THIS DRAWING IS UNPUBLISHED. RELEASED FOR PUBLICATION
 © COPYRIGHT - By - ALL RIGHTS RESERVED.

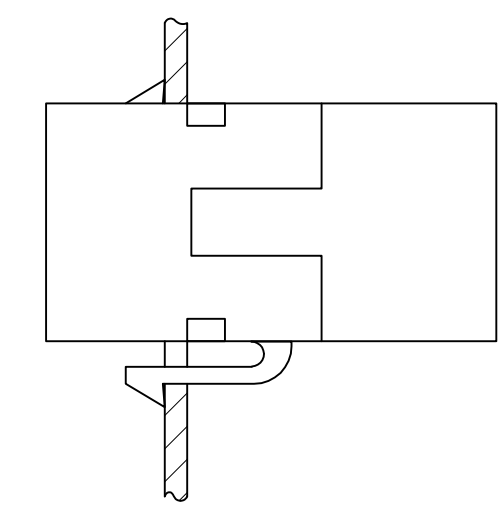
LOC	DIST	REVISIONS					
HM	00	P	LTR	DESCRIPTION	DATE	DWN	APVD
		E2		REVISED PER ECO-13-016445	19DEC2013	GG	RA



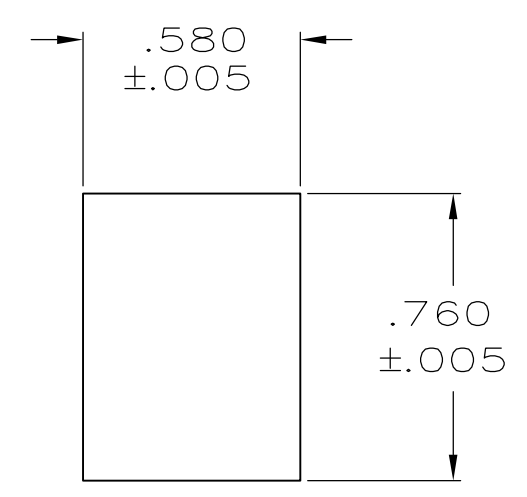
1. ALL DIMENSIONS SHOWN ARE MAXIMUM UNLESS OTHERWISE SPECIFIED.
2. MATERIAL:
 HOUSING - POLYPHENYLENE OXIDE, BLACK.
 TERMINAL - .018 DIA PHOSPHOR BRONZE PLATED
 .000030 MINIMUM THICK GOLD OVER .000050 MIN THICK NICKEL.
3. MOUNTING PANEL THICKNESS .062 NOMINAL.
4. CAVITIES SHALL CONFORM TO FCC RULES AND REGULATIONS, PART 68, SUBPART F.



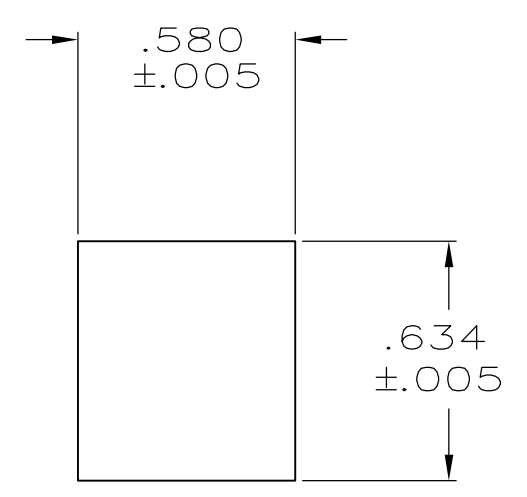
DOUBLE WALL PLATE
NOT TO SCALE



SINGLE WALL PLATE



RECOMMENDED PANEL CUTOUT FOR SINGLE WALL PLATE AND BACK PANEL FOR DOUBLE WALL PLATE



RECOMMENDED FRONT PANEL CUTOUT FOR DOUBLE WALL PLATE

555051-1
PART NUMBER

THIS DRAWING IS A CONTROLLED DOCUMENT.		DWN	C. YATES	3-17-87		TE Connectivity				
DIMENSIONS: INCHES		CHK	B. FOX	3-27-87		NAME				
TOLERANCES UNLESS OTHERWISE SPECIFIED:		APVD	C. FOSTER	4-1-87		COUPLER ASSEMBLY, 8 POSITION, RIGHT ANGLE				
0 PLC ± - 1 PLC ± - 2 PLC ± - 3 PLC ± - 4 PLC ± - ANGLES ± -		PRODUCT SPEC	-			SIZE	CAGE CODE	DRAWING NO	RESTRICTED TO	
MATERIAL - 2		FINISH	2-		WEIGHT	A2 00779 C=555051		SCALE	SHEET 1 of 1	REV E2
CUSTOMER DRAWING										